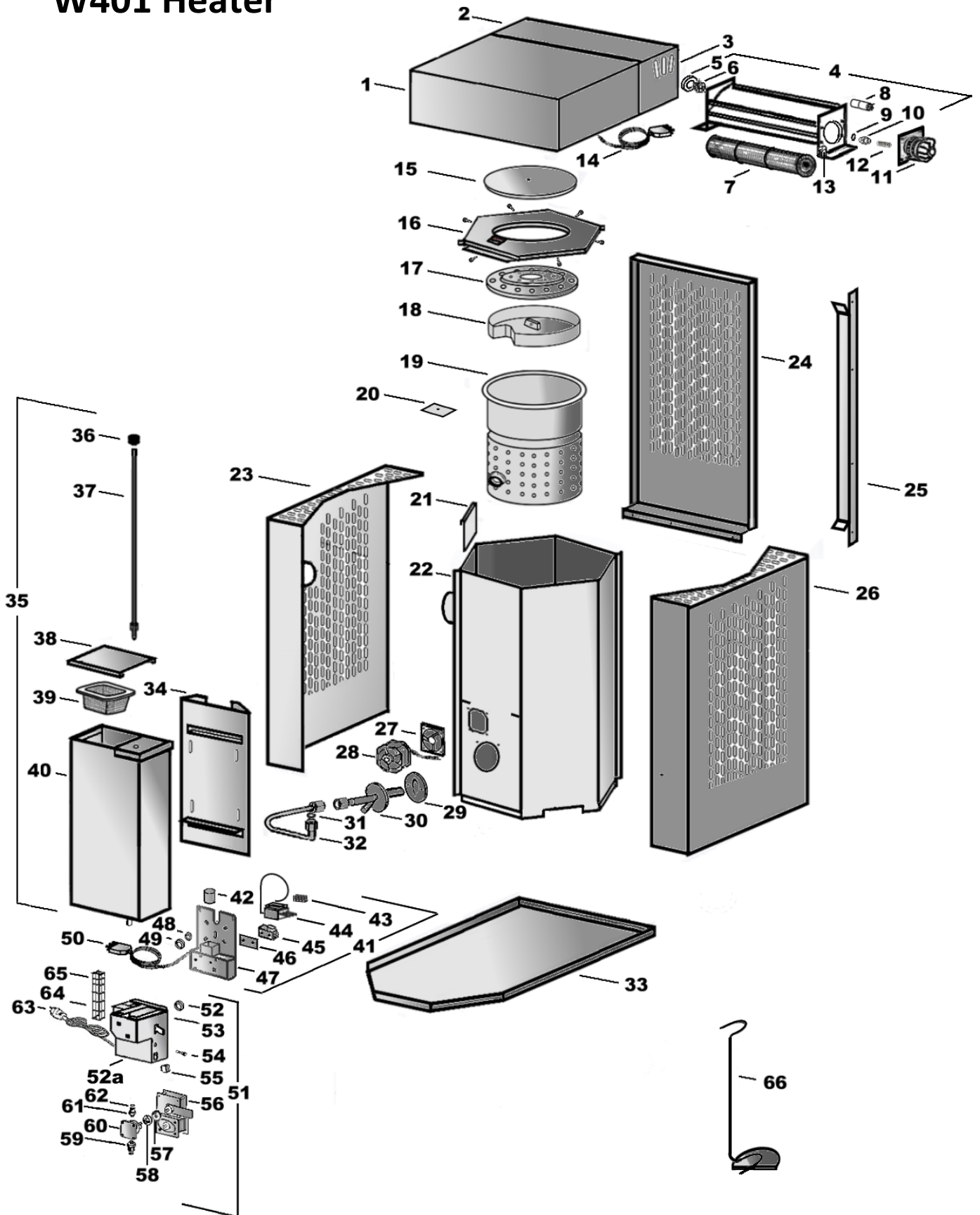


W401 Heater



1	Fan complete	000062
2	Cover right	001465
3	Cover left	001466
4	Fan complete	005319
5	Bearing stocktaking	005524
6	Ballbearing	005338
7	Turbine	005384
8	Capacitor 2 μ F	005385
9	Seal	005523
10	Coupling (8 mm)	005315
11	Motor	005382
12	Compression spring	005381
13	Connecting strip	022255
14	Cable	006451-01
15	Cover	001856
16	Cover plate	001823
17	Pilot ring	011641
18	Burner basin	011639
19	Oil chamber	001455
20	Cover plate for oil chamber	001824
21	Baffle	001822
22	Combustion chamber cpl.	001457
23	Perforated plate right	001810
24	Perforated plate left	001812
25	Cable channel	047208
26	Perforated plate left	001811-01
27	Fan insulating	011649
28	Combustion air fan	001837
29	Seal	005386
30	Oil inlet pre assembled	000720
31	Fiber seal VPE2	049594
32	Oil feed line	000954
33	Drip pan	001813
34	Cover	001825
35	Tank complete assembled	000716-01

36	Adjusting knob	036504
37	Connecting rod	000956
38	Tank cover	001827-01
39	Strainer	001460
40	Tank	000950-01
	Water drainage cock	005251
41a	Overflow protection cpl. without fan	000719
41a	Overflow protection cpl. with fan	000718
42	Aluminium catchment	005252
43	Strip terminal	006488
44	Thermostat	005439
45	Microswitch	025317
46	Spacer	006556
47	Holder for overflow protection	001461-01
48	Cable strain relief	006463
49	Cable strain relief	006464
50	Power cord with plug	006453
51	Motor mount complete	000717
52	Cable strain relief	006464
52a	Motor cover without drawing	001833
53	Motor mount cpl.	000952
54	Indicator light yellow	006502
55	Rocker switch	006529
56	Motor	005351
57	Clutch disk slit	006339
58	Clutch disk with peg	006340
59	Lower adaption portion	011647
60	Gear pump	005513
61	Upper adaption portion	011646
62	Seal	003370
63	Power cord with plug	006448
64	Jack 5-pol.	006404
65	Jack 3-pol.	006402
66	Cleaning crotchet	000949
	Slag solvent	000721