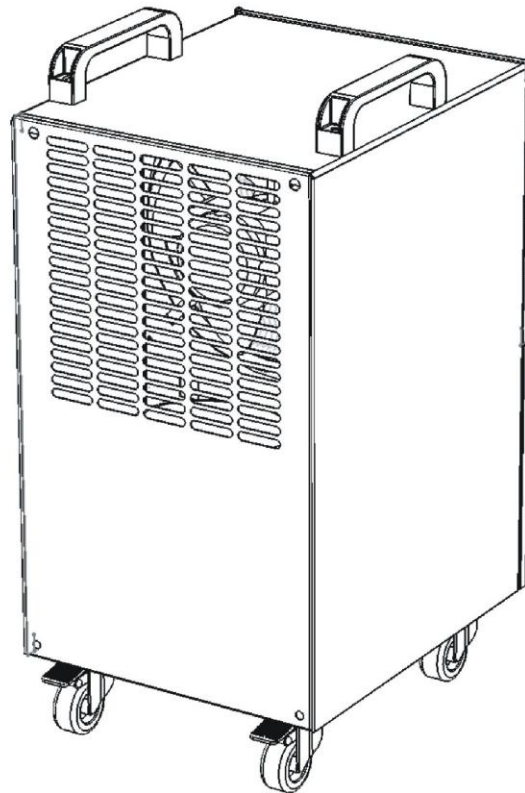


Dehumidifier

Operating Instructions



IMPORTANT

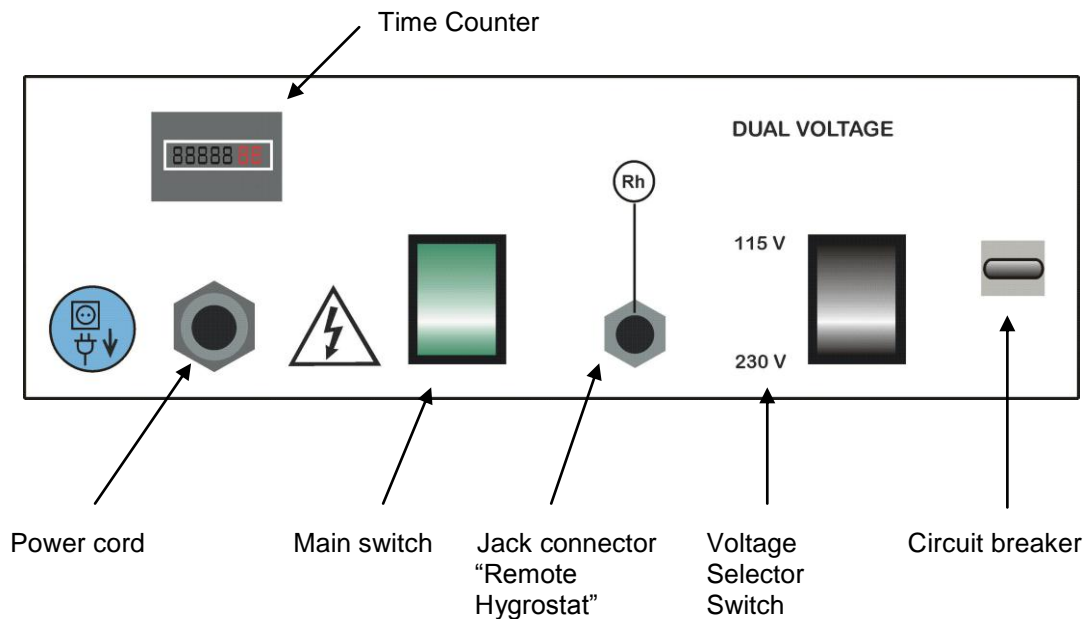
- Before using this appliance for the first time, read the instruction manual carefully and keep it safe for future reference. This will allow you to obtain the best results from your machine and to use it safely.
- Before using the appliance, check that the domestic power supply corresponds to that indicated on the appliance. Only switch on the machine if the plug and fittings have been applied correctly.
- The electrical safety of this appliance can only be guaranteed if the appliance is earthed, as required by current electrical safety regulations.
The manufacturer cannot be held responsible for damage arising from the machine not being earthed. If in doubt regarding this point, consult a qualified electrician.
- If the plug and the socket do not match,
Substitute the plug with a suitable replacement. A qualified electrician must carry this out. If a fixed electrical connection is required, it must be carried out by authorised personnel and in accordance with national laws of electrical installation.
- The use of adapters, double or triple plugs and/or extensions is not advised.
When these must be used, it is important that they meet current safety standards, and care must be taken to ensure that the power limit indicated on the adapter is not exceeded.
- After removing packing materials, check that the appliance is in perfect working order. In you are in any doubt, contact your nearest service personnel.
- Packaging materials (plastic bags, EPS etc.) should not be left within reach of children, as they are potentially dangerous.
- This appliance is intended only for domestic usage. Any other use to which it is put must be considered unsuitable and therefore dangerous.
- If the appliance malfunctions, switch it off and do not try to fix it. If the appliance needs repair, please take it to a manufacturer authorised service centre, requesting the use of original parts if needed. If original parts are not used, the safety of the appliance can no longer be ensured.
- The user must not attempt to change the cable. If it is damaged or needs to be changed, this must be carried out exclusively by a manufacturer authorised service centre. Do not use the appliance if the cable or plug is damaged.
- The manufacturer cannot be held responsible for damage arising from inappropriate or unsuitable usage or from repairs carried out by unqualified personnel.

The use of any electrical appliance demands that a few fundamental rules be followed.

PLEASE NOTE:

- **Warning:** This appliance must not be used in close proximity to baths, showers or dishwashers.
- Do not install the appliance near sources of heat or where the air possibly contains gases or sulphurous oils, nor must it be used in areas exposed to radiation.
- Do not allow children to handle the appliance.
- Alteration or modification of the appliance's functional characteristics may be dangerous.
- Unplug the appliance when you have finished using it, as well as before any maintenance or cleaning operation.
- Never pull on the flex to unplug the appliance.
- Do not place hot or heavy objects on top of the appliance.
- **Warning:** This appliance must be kept in an upright position. It must also be kept upright when being transported. The water container must be emptied before the appliance is transported. After transportation, wait for at least an hour before switching the appliance on.

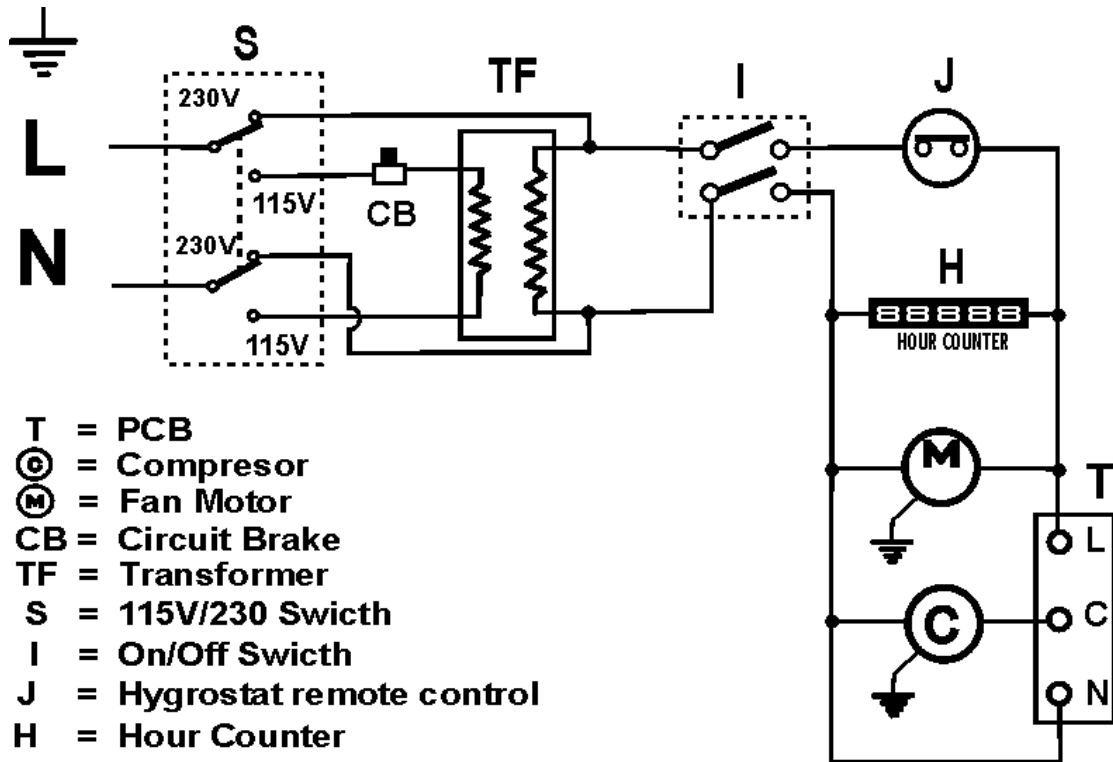
CONTROL PANEL



TECHNICAL DATA

MODEL	T20 dual voltage
Rated voltage	115/230 VAC - 50 Hz
Rated power Input	558 W
Rated current	6.2/3,1 A
Potential for dehumidifying in 24 H (26.7°C / 80%HR)	18 Litres
Dehumidified air	160m ³ /h
Refrigeration agent	R134a
Area of dehumidification	160m ²
Defrost	Yes
Dimensions Width x Height x Depth	300 x 620 x 370 mm
Weight (net)	27 kg
Operating limits: Humidity Temperature	30% - 90% 5°C – 30°C

Circuit diagram



IMPORTANT NOTES

- The dehumidifier must be placed on a hard, flat, uniform surface.
- To ensure that the appliance functions correctly, a space of at least 50cm must be left all around it. The air entry and exit panels must not be obstructed.
- Close doors and windows of the room in which the appliance is to be operated.
- Clean the filter once a week. Do not expose it to direct sunlight.

OPERATION

To ensure correct usage, a space of at least 50cm must be left clear all around the appliance.

1. Switch the appliance on: the green light on the control panel should light up.
2. Check if the voltage selector is turned to the correct voltage you have on power source. The circuit breaker must be turned ON otherwise the appliance doesn't work.
3. If the remote hygostat is not fitted, the appliance starts running automatically. If it is fitted, switch the hygostat to the "Cont" position for continuous use. When the relative air humidity has fallen to the desired level, turn the hygostat slowly in the opposite direction, until the appliance comes to a stop.
This ensures automatic regulation of air humidity.

Ideal environmental conditions are around 50% - 60% of relative humidity.

DEFROST OPERATION

If the ambient temperature of the room in which the appliance is conditioning, falls below 12°C, ice will be formed on the evaporator. Over a period of time this builds up of ice and affects the efficiency of the appliance. Therefore it is fitted with a defrost device.

DUAL VOLTAGE

This appliance is fitted with a transformer which will allow the unit to operate on either 110 or 230 volts, 50Hz power supply. It is fitted with a circuit breaker that protects any wrong selection of power supply. The electrical components are rated for 230VAC. The voltage selector switch can be found on the panel of the unit at the rear.

CLEANING AND MAINTENANCE

- Before carrying out any cleaning or maintenance operation, the appliance must be disconnected.
- Do not clean the appliance directly under a source of running water.
- Clean the outside of the appliance with a slightly damp cloth, and dry it with a dry cloth.
- Do not use petrol, alcohol or solvents to clean the appliance.
- Do not spray the appliance with insecticides or similar products.

Cleaning the filter

The filter must be cleaned once a week.

To remove the filter, pull it upwards. Use a vacuum cleaner to remove any dust on the filter. If the filter is very dirty, it may be washed in warm water, being careful to ensure that the water temperature is below 40°C. Leave the filter to dry completely before replacing it in the appliance.

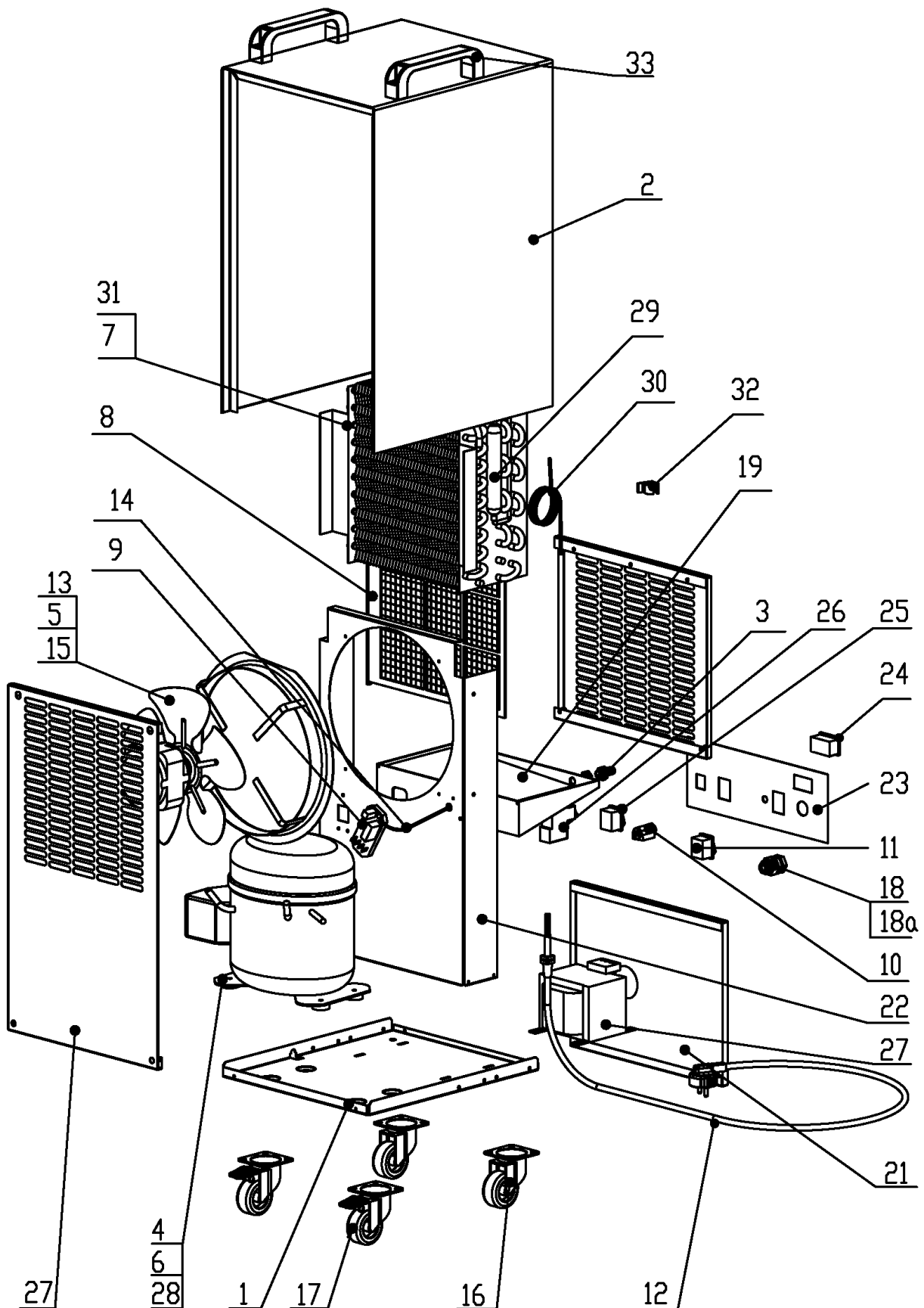
TROUBLE SHOOTING

The following guide will explain some of the possible causes of appliance malfunction, which must be checked before calling the authorised service centre. If the appliance still does not work after trying out the suggestions given here, we ask you to contact the authorised service centre.

Do not attempt any other type of test or examination of the appliance. Do not attempt to change or repair the electrical components.

Problem	Causes	Solution
The appliance does not work.	<ul style="list-style-type: none">• The appliance is not connected to a power source.• The remote hygrostat (if in use) is in the “Min” position.• The voltage selector is not positioned according to the power source voltage.• The circuit breaker is turned OFF	<ul style="list-style-type: none">• Connect the appliance to a power source.• Adjust the hygrostat to the desired position.• Select the correct voltage• Turn ON the circuit breaker
The appliance does not dehumidify	<ul style="list-style-type: none">• The air filter is dirty.	<ul style="list-style-type: none">• Clean the air filter.
The appliance works but does not reduce humidity	<ul style="list-style-type: none">• The room is too big.• There are too many sources of humidity.	

EXPLODED VIEW



SPARE PARTS

	Beschreibung	Description		T 20 Dual
1	Unterteil	Base	Socle	047416
2	Oberteil	Cover	Capot	047417
4	Kühlaggregat kpl.	Complete refrigeration unit	Unité frigorifique complète	047418
5	Ventilatormotor komplett	Fan motor complete	Ventilateur motoeur	047419
6	Anlaufkondensator 47µF	Starting capacitor microF	Condensateur de lancement 47µF démarrage	047420
7	Verdampfer kpl.	Evaporator/Condenser complete	Evaporateur complète	047421
8	Ansaugfilter Permacool	Air filter	Filtre à air Permacool	047422
9	Leiterplatte (T20)	PC board T20	Platine (T20)	047423
10	Hygrostatsockel	Socket for hygrostat	Socle pour hygrostat	046063
11	Hauptschalter	Main Switch	Interrupteur principal	046133
12	Netzkabel	Power cord	Câble d'alimentation	047442
13	Ventilatormotor	Fan motor	Ventilateur motoeur	046055
14	Verdampferfühler	Temperature sensor evaporator	Sonde de température évaporateur	047424
15	Ventilatorflügel	Fan blade	Hélice	047425
16	Rad ohne Bremse	Wheel without brake	Roue sans frein	047426
17	Rad mit Bremse	Wheel with brake	Roue avec frein	047427
18	Verschraubung	Pipe union	Hygrostat avec câble d'amenée et adaptateur	047428
18a	Gegenmutter	Lock-nut	Raccord	046079
19	Wassertank	Water collector	Réservoir	047429
20	Gitter Hinten	Rear grid	Grille arrière	047430
21	Rückwand	Rear panel	Paroi arrière	047431
22	Zwischenwand	Intermediate panel	Paroi intermédiaire	047432
23	Aufkleber Platine	Control panel sticker	Autocollant Platine	047433
24	Betriebsstundenzähler	Working hour meter	Compteur d'heures	046064
25	Spannungswahlschalter	Voltage switch	Commutateur voltage	047435
26	Sicherung = T20 Dual	Circuit breaker	Fusible	047436
27	Transformator = T20 Dual	Transformer	Transformateur	047437
28	Kompressor	Compressor	Compresseur	047438
29	Trockenfilter	Filter-drier	Filtre-déshydrateur	047439
30	Drosselorgan kpl.	Metering coil	Ralentisseur	047440
31	Verdampfer	Evaporator/Condenser	Evaporateur	047444
32	Schlauchhalter	Hose holder	Support flexible	046084
33	Griff	Handle	Poignée	047441
	Schalterknopf **	Voltage switch knob **	Bouton commutateur voltage **	047434
**	Ohne Abbildung	Without picture	Sans dessin	

EG – Konformitätserklärung
EG – Declaration of conformity
EG – Déclaration de conformité

Der Hersteller
The manufacturer / Le fabricant

Kroll GmbH

Pfarrgartenstraße 46, D-71737 Kirchberg
Tel. 07144/830-0

Dokumentationsbevollmächtigter
Authorized person for documentation
Personne autorisée pour la
documentation

Markus Preuss

erklärt hiermit, dass folgende Produkte / Herewith declares that the following products
Explique par ce document que les produits suivants

Produktbezeichnung
Description / Désignation du produit

Luftentfeuchter
Dehumidifier / Déshumidificateur

Typenbezeichnung / Type / Type

T20 Dual voltage

allen einschlägigen Bestimmungen der
folgenden Richtlinien entspricht

2006/95/EG Elektrische Betriebsmittel zur
Verwendung innerhalb bestimmter
Spannungsgrenzen
Electrical devices for use within
certain voltage limits
Matériel électrique pour utilisation
dans certaines limites de voltage

correspond to all relevant regulations of
the following guidelines

Correspondent à tous les spécifications
des directives suivantes

Folgende harmonisierte Normen wurden
angewandt

EN 60335-2-30; EN 60335-2-40
EN 61000-3-2; EN 61000-3-3
EN 62233
EN 55014-1; EN 55014-2

The following harmonized norms have
been applied

Les normes harmonisées suivantes ont
été appliquées

Kirchberg, 7.06.2011

Alfred Schmid

Geschäftsführer / Director / Directeur

